

# DRENAG 1000 - 1200

## DRAINAGE PUMPS

**CLEAN AND GREY WATER**

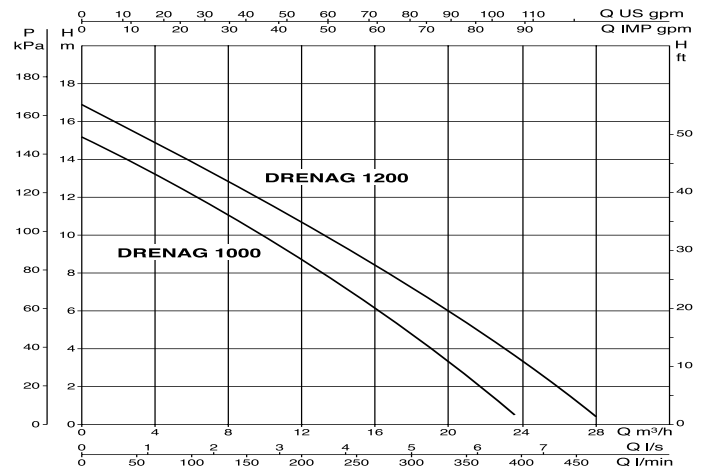


Pump body, impeller, motor flange, filter and filter cover, motor casing, outer casing with handle, cable compartment cover in **AISI 304 stainless steel**.  
 Driving motor in **AISI 316 stainless steel**.  
 Handle coated with insulating rubber. **Double mechanical seal** with oil chamber interposed, carbon/alumina on motor side and silicon/silicon carbide on pump side. **Dry motor**, asynchronous, watertight, cooled by the pumped liquid itself. Standard thermal protection in the winding. Capacitor permanently on in the single-phase version. 10 metres of H07RN-F power cables with electric plug are supplied as a standard feature. All models can be supplied either with or without float.  
**Operating range:** from 3 to 24 m<sup>3</sup>/h with head up to 14.2 mt.

**Liquid temperature range:**  
 from 0°C to +50°C.  
 from 0°C to +35°C for domestic use.  
**Pumped liquid characteristics:** rain water, phreatic water, sandy water from building yards and clean waste waters, not aggressive.  
**Maximum working temperature:** +40°C with the motor out of the water.  
**Free passage through the suction grid:** 10 mm.  
**Maximum immersion depth:** 10 mt.  
**Protection level:** IP 68.  
**Insulation class:** F.  
**Installation:** fixed or portable, in a vertical position.

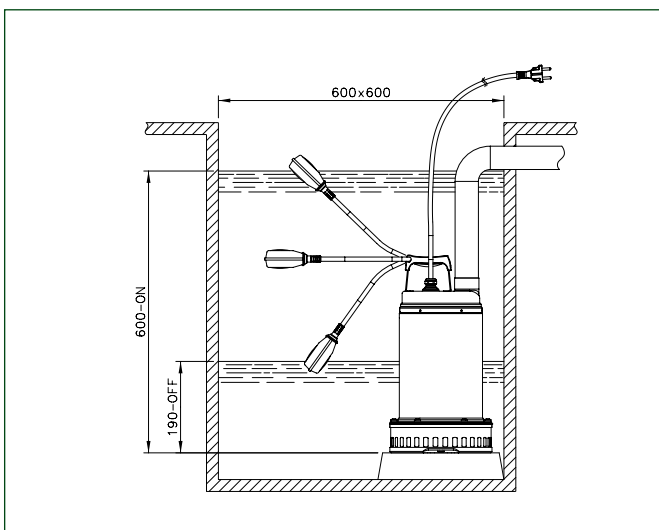
## TECHNICAL DATA

MODEL	CODE	ELECTRICAL DATA				
		VOLTAGE 50 HZ	P1 MAX kW	P2 NOMINAL		In A
				kW	HP	
DRENAG 1000 M-A	103041000	1X230 V~	1,29	1	1,36	6
DRENAG 1000 M-NA	103041010	1X230 V~	1,29	1	1,36	6
DRENAG 1000 T-NA	103041020	3X400 V~	1,18	1	1,36	2,43
DRENAG 1200 M-A	103041040	1X230 V~	1,85	1,2	1,6	7,5
DRENAG 1200 M-NA	103041050	1X230 V~	1,85	1,2	1,6	7,5
DRENAG 1200 T-NA	103041060	3X400 V~	1,65	1,2	1,6	3,24

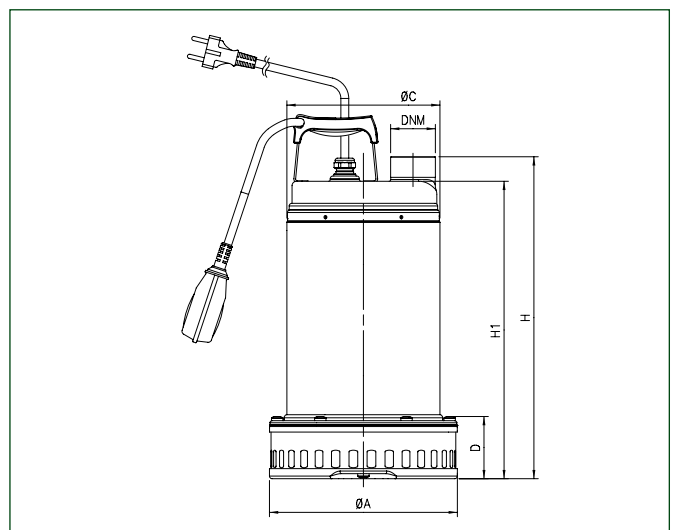


A= automatic with float NA= non automatic without float

## INSTALLATION



## DIMENSIONS AND WEIGHTS



MODEL	ØA	ØC	D	H	H1	Ø DNM	PACKAGING DIMENSIONS			FREE PASSAGE mm	Q.TY X PALLET	WEIGHT KG
							L/A	L/B	H			
DRENAG 1000	215	175	71	413	385	1 1/2 F	240	600	250	10	24	17
DRENAG 1200	215	175	71	413	385	1 1/2 F	240	600	250	10	24	18,5